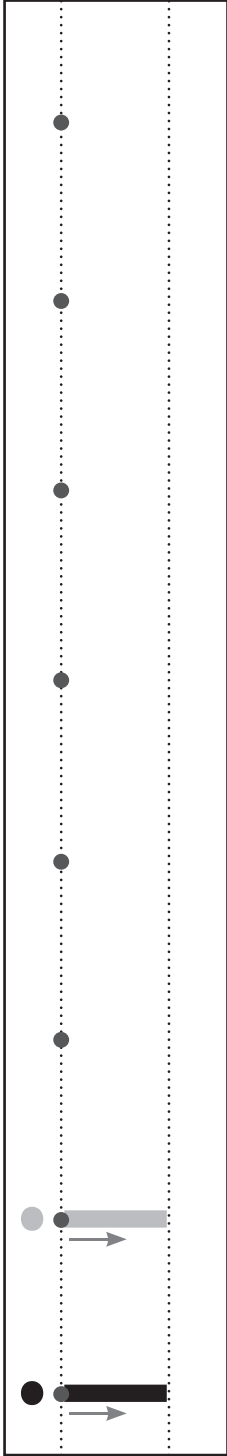
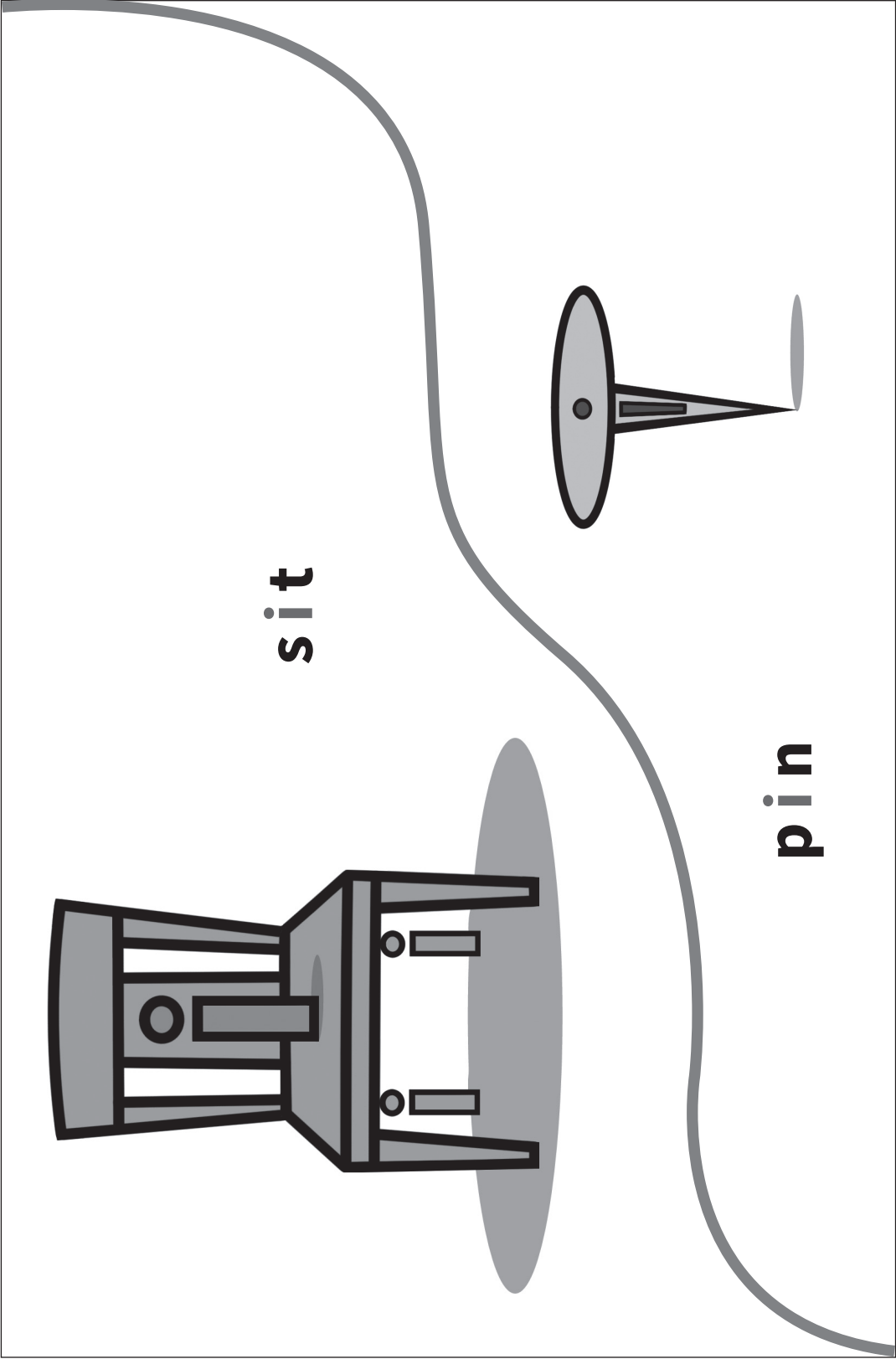


2

Phonics worksheet: blended i

Look, trace and write. Say.



i